



**WORKHORSE PERFORMANCE
WORLD CLASS SUPPORT.**



LG918L Wheel Loader

SDLG - The experts at delivering value for money.



LG918L Wheel Loader

LG918L Features

- Yuchai YC4D80-T10 engine
- 2 Speed Transmission
- Dry disk brakes on all four wheels
- A/C cabin with pillarless wrap around windscreen
- Single lever hydraulic pilot control
- Hydraulic Quick Hitch
- Full powered 3rd function hydraulics
- Bucket capacity 1.0m³ > 2.5m³
- 2 year/2000 hour warranty (conditions apply)
- ROPS/FOPS cabin ISO EN 13510, ISO EN 13627

Optional Attachments

- Auto weighing system
- Auto grease system
- Boom suspension
- Air suspension seat
- Large range of attachments available

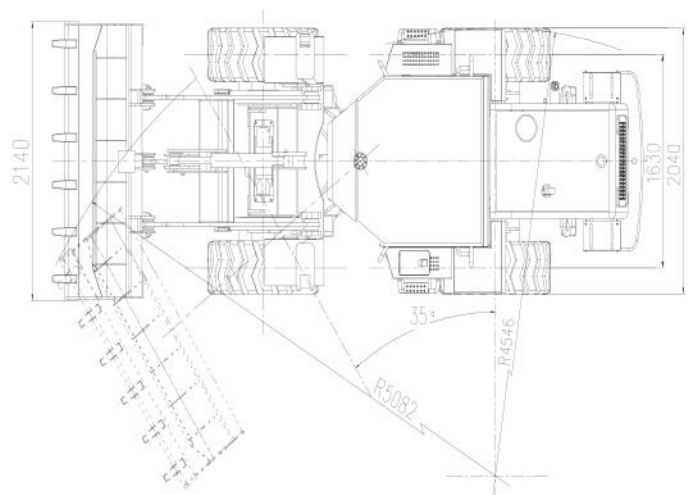
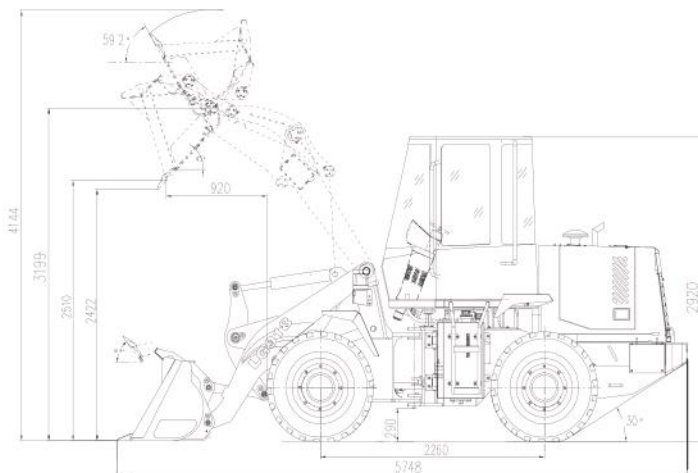
Specifications

Engine Power	58kW/77hp	Lift Capacity (Rated Load)	1,800kg
Max. Traction Force	5,710kgf	Static Tipping Load at full turn	3600kg
Operating Weight	6,200kg	Min Turning Radius Outside Rear Wheel	4,546mm
Standard Bucket Capacity	1.0m ³	Min. Turning Radius Outside Bucket	5,082mm
		Max Breakout force	5914kgf
		Bucket Pin Height when fully raised Standard Arm	3,200mm

Dimensions

Length (Bucket on ground)	5,798mm	Width outside tyres	2,040mm
Height	2,920mm	Wheel Centres	1,630mm
Max. Dump Height (-45° angle)	2,510mm	Front wheel to bucket edge	920mm
Bucket Width	2,140mm	Wheel Base	2,260mm

Dimensions LG918L



• • SDLG - The experts at delivering value for money.

Steering System

Type	Full-hydraulic load sensing articulated steering
Steering pump	Gear driven
Steering Cylinder Cylinder bore x piston rod diameter x stroke	63 x 35 x 290mm
Steering Orbital	Eaton BZZ-320
Steering Angle	35°
Working Pressure	2030 Psi

Engine

Model	Yuchai YC4D80-T10
Type	Watercooled, 4 stroke, 4 cylinders in line, direct injection
Rated Power	58kW/77hp
Rated RPM	2400rpm
Displacement	4.2L
Cylinders	4
Cylinder Bore Stroke	108/120mm
Min Fuel Consumption	5.5L/hr
Max. Torque	270Nm

Hydraulics

Type	Single lever hydraulic pilot control
Boom Cylinder Cylinder bore x piston rod diameter x stroke	80 x 45 x 695mm
Bucket Cylinder Cylinder bore x piston rod diameter x stroke	100 x 55 x 404mm
Pump	Gear driven
Working pressure	2538 Psi
Lifting time (Max Load)	≤4.8s
Lowering time (Empty)	≤3.2s
Dumping time (Empty)	≤1.1s
Total	≤9.1s

Transmission

Torque Converter	Type	Single phase, 3 element		
	Torque ratio	3.43		
Travel Speed	Speeds	1	2	
	Forward	10 km/h	26.5 km/h	
	Reverse	0-9.6 km/h	0-26.5 km/h	
Transmission	Type	Fixed power shift + high & low fixed shaft speed		
	Shift	Forward 2 / Reverse 2		
	Transmission Ratio	Forward 1	2:154	
		Forward 2	0:768	
		Reverse 1	2:207	
		Reverse 2	0:785	
	Transmission Pump	Gear driven		
	Working Pressure	200 - 230 Psi		
Main Drive	Type	Single stage, spiral bevel gear		
	Gear Ratio	5:833		
Final Drive	Type	Single stage, planetary shift		
	Gear Ratio	3:9		
Driving Axle & Tyres	Type	4WD		
	Tyre Specification	16/70-20		
	Tyre Pressure	Front	48-51 Psi	
		Rear	39-42 Psi	
Brake System	Service Brake Type	Dry disc brakes on 4 wheels		
	Service Brake Pressure	100 - 114 Psi		
	Parking Brake	Manual		

Service Fill Capacities

Fuel	120L	Engine Oil	13L
Hydraulic Oil	100L	Transmission	45L
Axles (Main drive & final drive)	2 x 8L	Brake System	4L

*Materials and specifications are subject to change without notice.

**WORKHORSE PERFORMANCE
WORLD CLASS SUPPORT.**



SDLG - A Volvo Company

Updated February 2017

CJD Head Office:

54 Great Eastern Hwy
South Guildford WA 6055

www.sdlg.com.au
Ph: 1300 887 530



Partners in Experience

