



**WORKHORSE PERFORMANCE  
WORLD CLASS SUPPORT.**



# **LG936L Wheel Loader**

**SDLG** - The experts at delivering value for money.



# LG936L Wheel Loader

## LG936L Features

- Weichai 6 Cylinder Engine
- 2 speed power shift transmission
- ROPS/FOPS cabin. ISO EN 3449, ISO EN 3471, ISO EN 3164
- A/C cabin with pillarless wrap around windscreen
- Single lever hydraulic pilot control
- Hydraulic Quick Hitch
- Full powered 3<sup>rd</sup> function hydraulics
- Bucket capacity, 1.8m<sup>3</sup> > 3m<sup>3</sup>
- 2 year/2000 hour warranty (conditions apply)

## Optional Attachments

- Auto weighing system
- Auto grease system
- Boom suspension
- Air suspension seat
- Large range of attachments available
- 4 in 1 buckets, range of Light Material Buckets from 1m<sup>3</sup> to 4m<sup>3</sup>, Hydro Post Hole Diggers, Hay & Silage Handling Attachments. Pallet Forks & GP Forks

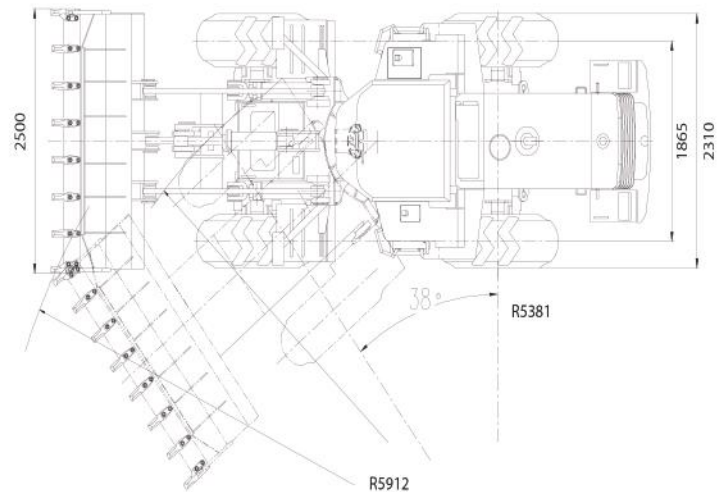
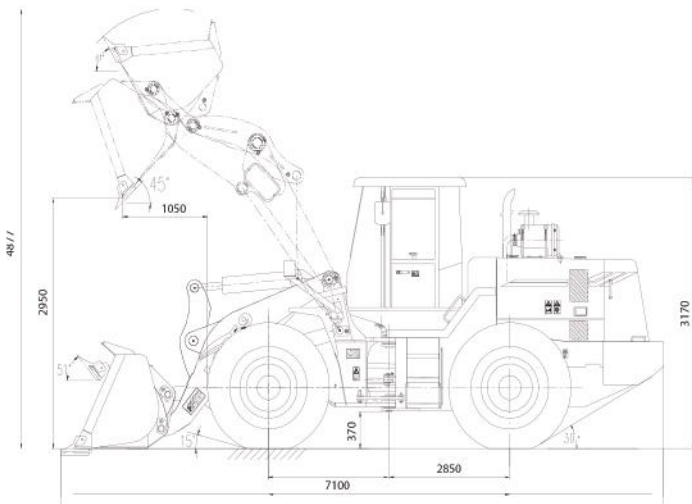
## Specifications

<b>Engine Power</b>	92kW/123hp	<b>Max Breakout Force</b>	9,789kgf
<b>Max. Traction Force</b>	11,707kgf	<b>Static Tipping Load at full turn</b>	6,739kg
<b>Operating Weight</b>	11,350kg	<b>Min Turning Radius Outside Rear Wheel</b>	5,381mm
<b>Standard Bucket Capacity</b>	1.8m <sup>3</sup>	<b>Min. Turning Radius Outside Bucket</b>	5,912mm
<b>Lift Capacity (Rated Load) Standard Arm</b>	3,000kg	<b>Bucket Pin Height when fully raised Standard Arm</b>	3,800mm
<b>Lift Capacity (Rated Load) Long Arm</b>	2,700kg	<b>*Optional - Bucket Pin Height when fully raised Long Arm</b>	4,097mm

## Dimensions

<b>Length (Bucket on ground)</b>	7,100mm	<b>Width outside tyres</b>	2,310mm
<b>Height</b>	3,170mm	<b>Wheel Centres</b>	1,865mm
<b>Max. Dump Height (-45° angle) Std/LongArm</b>	2,950mm/3280mm	<b>Front wheel to bucket edge</b>	1,050mm
<b>Bucket Width</b>	2,500mm	<b>Wheelbase</b>	2,850mm

## Dimensions LG936L



## • • **SDLG** - The experts at delivering value for money.

### Steering System

Type	Full-hydraulic articulated steering
Steering pump	Gear driven hydraulic pump. 120L/min
Steering Cylinder Cylinder bore x piston rod diameter x stroke	80 x 45 x 327mm
Steering Orbital	Eaton BZZ5-E630C
Steering Angle	38°
Working Pressure	2030 Psi

### Engine Weichai WP6G125E22

Model	Weichai WP6G125E22
Type	Watercooled, 4 stroke, 6 cylinder in line, direct injection, turbo charged.
Rated Power	92kW/123hp
Rated RPM	2200rpm
Displacement	6.75L
Cylinders	6
Cylinder Bore Stroke	105x130mm
Max. Torque	540Nm

### Hydraulics

Type	Single lever hydraulic pilot control
Boom Cylinder Cylinder bore x piston rod diameter x stroke	Double acting 125 x 70 x 771mm
Bucket Cylinder Cylinder bore x piston rod diameter x stroke	Double acting 140 x 80 x 502mm
Pump	Gear driven Hydraulic pump 160L/min
Working pressure	2320 Psi
Lifting time (Max Load)	5.3s
Lowering time (Empty)	2.9s
Dumping time (Empty)	1.0s
Total	9.2s

### Transmission

Torque Converter	Type	Single phase, hydraulic convertor		
	Torque ratio	4.56		
	Inlet oil pressure	65 - 79 Psi		
	Outlet oil pressure	21 - 36 Psi		
Travel Speed	Speeds	1	2	
	Forward	0-13 km/h	0-38 km/h	
	Reverse	0-17 km/h	-----	
Transmission	Type	Planetary Powershift		
	Shift	Forward 2 / Reverse 1		
	Transmission Ratio	Forward 1	2:155	
		Forward 2	0:578	
		Reverse 1	1:577	
		Reverse 2	-----	
	Transmission Pump	Gear driven hydraulic pump		
	Working Pressure	160 - 220 Psi		
Main Drive	Type	Single stage, spiral bevel gear		
	Gear Ratio	6:167		
Final Drive	Type	Single stage, planetary shift		
	Gear Ratio	3:12		
Driving Axle & Tyres	Type	4WD		
	Mount	Oscillating rear axle, rigid front axle		
	Tyre Specification	17.5 - 25. Tubeless		
	Tyre Pressure	Front	47-51 Psi	
		Rear	40-42 Psi	
Brake System	Service Brake Type	Air over hydraulic disc brakes		
	Service Brake Pressure	65 - 98 Psi		
	Parking Brake	Air operated external disk brake		

### Service Fill Capacities

Fuel	140L	Engine Oil	16.3L
Hydraulic Oil	130L	Transmission	35L inclusive
Axles (Main drive & final drive)	2 x 16	Brake System	4L

\*Materials and specifications are subject to change without notice.

**WORKHORSE PERFORMANCE  
WORLD CLASS SUPPORT.**



## **SDLG - A Volvo Company**

Updated February 2017

### **CJD Head Office:**

54 Great Eastern Hwy  
South Guildford WA 6055

[www.sdlg.com.au](http://www.sdlg.com.au)  
Ph: 1300 887 530



*Partners in Experience*

