



**WORKHORSE PERFORMANCE
WORLD CLASS SUPPORT.**



LG958L Wheel Loader

SDLG - The experts at delivering value for money.

The Power of Experience





LG958L Wheel Loader

LG958L Features

- Deutz 7.15L 6 Cylinder Engine
- ZF 4 WG-200 Transmission
- ROPS/FOPS cabin ISO 3471, EN ISO 3449, EN ISO 3164
- A/C cabin with pillarless wrap around windscreen
- Single lever hydraulic pilot control
- Hydraulic Quick Hitch
- Full powered 3rd function hydraulics
- Bucket capacity 3.0m³ > 4.5m³
- 2 year/2000 hour warranty (conditions apply)

Optional Attachments

- Auto weighing system
- Auto grease system
- Boom suspension
- Air suspension seat
- Joystick transmission gear selection
- Large range of attachments available
- 4 in 1 buckets, range of Light Material Buckets from 3m³ to 5.5m³, Hydro Post Hole Diggers, Hay & Silage Handling Attachments. Pallet Forks & GP Forks

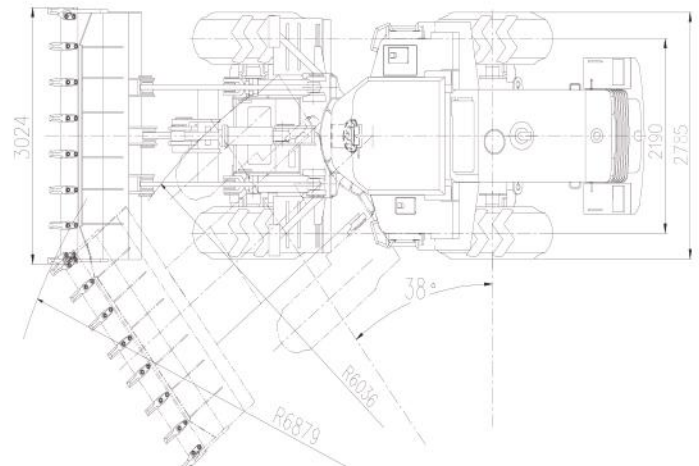
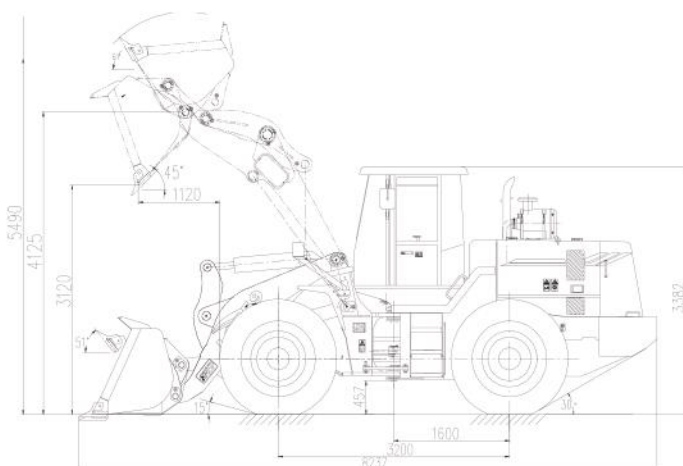
Specifications

Engine Power	160kW/214hp	Max Breakout Force	18,355kgf
Max. Traction Force	15,296kgf	Static Tipping Load at full turn	10,200kg
Operating Weight	16,900kg	Min Turning Radius Outside Rear Wheel	6,036mm
Standard Bucket Capacity	3.0m ³	Min. Turning Radius Outside Bucket	6,879mm
Lift Capacity (Rated Load)	5,000kg	Bucket Pin Height when fully raised	4,125mm

Dimensions

Length (Bucket on ground)	8,237mm	Width outside tyres	2,785mm
Height	3,382mm	Wheel Centres	2,190mm
Max. Dump Height (-45° angle)	3,120mm	Front wheel to bucket edge	1,120mm
Bucket Width	3,024mm	Wheelbase	3,200mm

Dimensions LG958L



SDLG - The experts at delivering value for money.

Steering System

Type	Full-hydraulic articulated steering
Steering pump	Gear driven hydraulic pump. 160L/min
Steering Cylinder Cylinder bore x piston rod diameter x stroke	Double acting 90 x 50 x 424mm
Steering Orbital	Eaton BZZ-100
Steering Angle	38°
Working Pressure	2030 Psi

Engine

Model	Deutz BF6M1013-21T2-1097
Type	Watercooled, 4 stroke, 6 cylinder in line, direct injection, turbo charged, aftercooled
Rated Power	160kW/214hp
Rated RPM	2200rpm
Displacement	7.15L
Cylinders	6
Cylinder Bore Stroke	108/130mm
Max. Torque	910Nm

Hydraulics

Type	Single lever hydraulic pilot control
Boom Cylinder Cylinder bore x piston rod diameter x stroke	Double acting 165 x 90 x 767mm
Bucket Cylinder Cylinder bore x piston rod diameter x stroke	Double acting 190 x 100 x 545mm
Pump	Internal gear pump. 250L/min
Working pressure	2610 Psi
Lifting time (Max Load)	5.5s
Lowering time (Empty)	3.0s
Dumping time (Empty)	1.2s
Total	9.7s

Transmission

Torque Convertor	Type	3 element, single-stage, single-phase			
	Torque ratio	2.55			
Travel Speed	Speeds	1	2	3	4
	Forward (km/h)	6.5	11.5	23	36
	Reverse (km/h)	0-6.5	0-11.5	0-23	-----
Transmission ZF4WG-200	Type	Electric over hydraulic powershift			
	Shift	Forward 4 / Reverse 3			
	Transmission Ratio	Forward 1	4:278		
		Forward 2	2:368		
		Forward 3	1:126		
		Forward 4	0:648		
		Reverse 1	4:278		
		Reverse 2	2.368		
	Reverse 3	1:126			
	Transmission Pump	Internal gear pump			
Working Pressure	203 - 232 Psi				
Main Drive	Type	Single stage, spiral bevel gear			
	Gear Ratio	5:286			
Final Drive	Type	Single stage, planetary shift			
	Gear Ratio	4:4			
Driving Axle & Tyres	Type	4WD			
	Mount	Oscillating rear axle, rigid front axle			
	Tyre Specification	23.5 - 25. Tubeless			
	Tyre Pressure	Front	48-51 Psi	Rear	40-43 Psi
Brake System	Service Brake Type	Air over hydraulic disc brakes			
	Service Brake Pressure	65 - 99 Psi			
	Parking Brake	Air operated hydraulically released disc brake on transmission			

Service Fill Capacities

Fuel	300L	Engine Oil	22.6L
Hydraulic Oil	210L	Transmission	35L
Axles (Main drive & final drive)	32L x 2	Brake System	4L

*Materials and specifications are subject to change without notice.

**WORKHORSE PERFORMANCE
WORLD CLASS SUPPORT.**



SDLG - A Volvo Company

Updated February 2017

CJD Head Office:

54 Great Eastern Hwy
South Guildford WA 6055

www.sdlg.com.au
Ph: 1300 887 530



Partners in Experience

