



**WORKHORSE PERFORMANCE  
WORLD CLASS SUPPORT.**



# **LG959L Wheel Loader**

**SDLG - The experts at delivering value for money.**



# LG959L Wheel Loader

## LG959L Features

- Deutz 7.15L 6 Cylinder Engine
- ZF 4 WG-200 Transmission
- ZF AP 411 internal wet brakes, limited slip diff
- ROPS/FOPS cabin ISO 3471, EN ISO 3449, EN ISO 3164
- A/C cabin with pillarless wrap around windscreen
- Single lever hydraulic pilot control
- Hydraulic Quick Hitch
- Full powered 3<sup>rd</sup> function hydraulics
- Bucket capacity, 3.0m<sup>3</sup> > 4.5m<sup>3</sup>
- 2 year/2000 hour warranty (conditions apply)

## Optional Attachments

- Auto weighing system
- Auto grease system
- Air suspension seat
- Boom suspension
- Joystick transmission gear selection
- Large range of attachments available
- 4 in 1 buckets, range of Light Material Buckets from 3m<sup>3</sup> to 5.5m<sup>3</sup>, Hydro Post Hole Diggers, Hay and Silage Handling Attachments. Pallet Forks & GP Forks

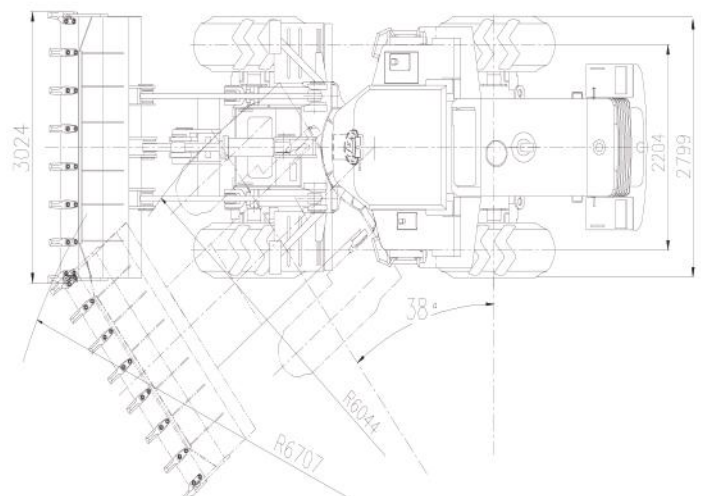
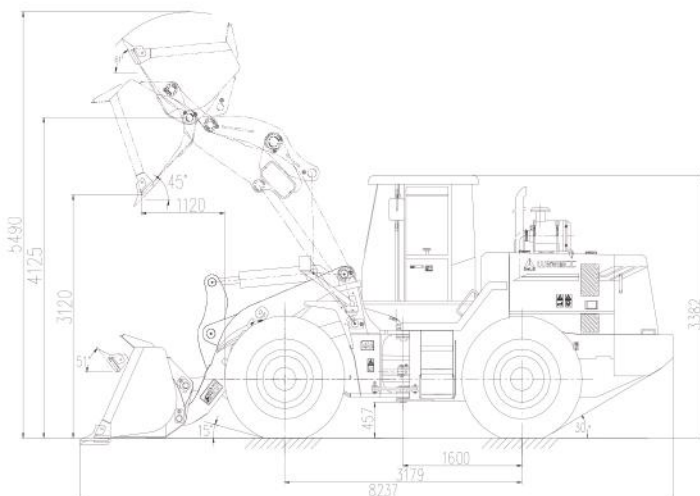
## Specifications

<b>Engine Power</b>	160kW/214hp	<b>Max Breakout Force</b>	18,355kgf
<b>Max. Traction Force</b>	15,296kgf	<b>Static Tipping Load at full turn</b>	10,200kg
<b>Operating Weight</b>	16,900kg	<b>Min Turning Radius Outside Rear Wheel</b>	6,044mm
<b>Standard Bucket Capacity</b>	3.0m <sup>3</sup>	<b>Min. Turning Radius Outside Bucket</b>	6,707mm
<b>Lift Capacity (Rated Load)</b>	5,000kg		

## Dimensions

<b>Length (Bucket on ground)</b>	8,020mm	<b>Width outside tyres</b>	2,799mm
<b>Height</b>	3,382mm	<b>Wheel Centres</b>	2,204mm
<b>Max. Dump Height (45° angle)</b>	3,120mm	<b>Front wheel to bucket edge</b>	1,120mm
<b>Bucket Width</b>	3,024mm	<b>Wheelbase</b>	3,179mm

## Dimensions LG959L



• **SDLG - The experts at delivering value for money.**

**Steering System**

<b>Type</b>	Full-hydraulic articulated steering
<b>Steering pump</b>	Gear driven hydraulic pump. 160L/min
<b>Steering Cylinder Cylinder bore x piston rod diameter x stroke</b>	Double acting 90 x 50 x 424mm
<b>Steering Orbital</b>	Eaton BZZ-100
<b>Steering Angle</b>	38°
<b>Working Pressure</b>	2030 Psi

**Engine**

<b>Model</b>	Deutz BF6M1013-21T2-1097
<b>Type</b>	Watercooled, 4 stroke, 6 cylinders in line, direct injection, turbo charged, aftercooled.
<b>Rated Power</b>	160 kW/214hp
<b>Rated RPM</b>	2200rpm
<b>Displacement</b>	7.15L
<b>Cylinders</b>	6
<b>Cylinder Bore Stroke</b>	108/130mm
<b>Max. Torque</b>	910Nm

**Hydraulics**

<b>Type</b>	Single lever hydraulic pilot control
<b>Boom Cylinder Cylinder bore x piston rod diameter x stroke</b>	Double acting 165 x 90 x 767mm
<b>Bucket Cylinder Cylinder bore x piston rod diameter x stroke</b>	Double acting 180 x 90 x 538mm
<b>Pump</b>	Gear driven Hydraulic pump. 250L/min
<b>Working pressure</b>	2610 Psi
<b>Lifting time (Max Load)</b>	5.5s
<b>Lowering time (Empty)</b>	3.0s
<b>Dumping time (Empty)</b>	1.2s
<b>Total</b>	9.7s

**Transmission**

<b>Torque Convertor</b>	Type	3 element, single stage, single phase			
	Torque ratio	2.55			
<b>Travel Speed</b>	Speeds	1	2	3	4
	Forward (km/h)	6.5	11.5	23	36
	Reverse (km/h)	0-6.5	0-11.5	0-23	-----
<b>Transmission ZF 4WG - 200</b>	Type	Electric over hydraulic powershift shift			
	Shift	Forward 4 / Reverse 3			
	Transmission Ratio	Forward 1	4:278		
		Forward 2	2:368		
		Forward 3	1:126		
		Forward 4	0:648		
		Reverse 1	4:278		
		Reverse 2	2.368		
		Reverse 3	1:126		
	Transmission Pump	Internal gear pump			
Working Pressure	203 - 232 Psi				
<b>Main Drive</b>	Type	Single stage, spiral bevel gear			
	Gear Ratio	5.286			
<b>Final Drive</b>	Type	Single stage, planetary shift			
	Gear Ratio	4:4			
<b>Driving Axle &amp; Tyres</b>	Type	4WD ZF AP limited slip diffs			
	Mount	Oscillating rear axle, rigid front axle			
	Tyre Specification	23.5 - 25. Tubeless			
	Tyre Pressure	Front	48-51 Psi	Rear	40-43 Psi
<b>Brake System</b>	Service Brake Type	Hydraulically actuated, wet disc brakes actuate all 4 wheels			
	Parking Brake	Air operated hydraulically released disc brake on transmission			

**Service Fill Capacities**

<b>Fuel</b>	300L	<b>Engine Oil</b>	22.6L
<b>Hydraulic Oil</b>	210L	<b>Transmission</b>	35L
<b>Axles (Main drive &amp; final drive)</b>	32L x 2	<b>Brake System</b>	4L

\*Materials and specifications are subject to change without notice.

**WORKHORSE PERFORMANCE  
WORLD CLASS SUPPORT.**



## **SDLG - A Volvo Company**

Updated February 2017

### **CJD Head Office:**

54 Great Eastern Hwy  
South Guildford WA 6055

[www.sdlg.com.au](http://www.sdlg.com.au)  
Ph: 1300 887 530



*Partners in Experience*

